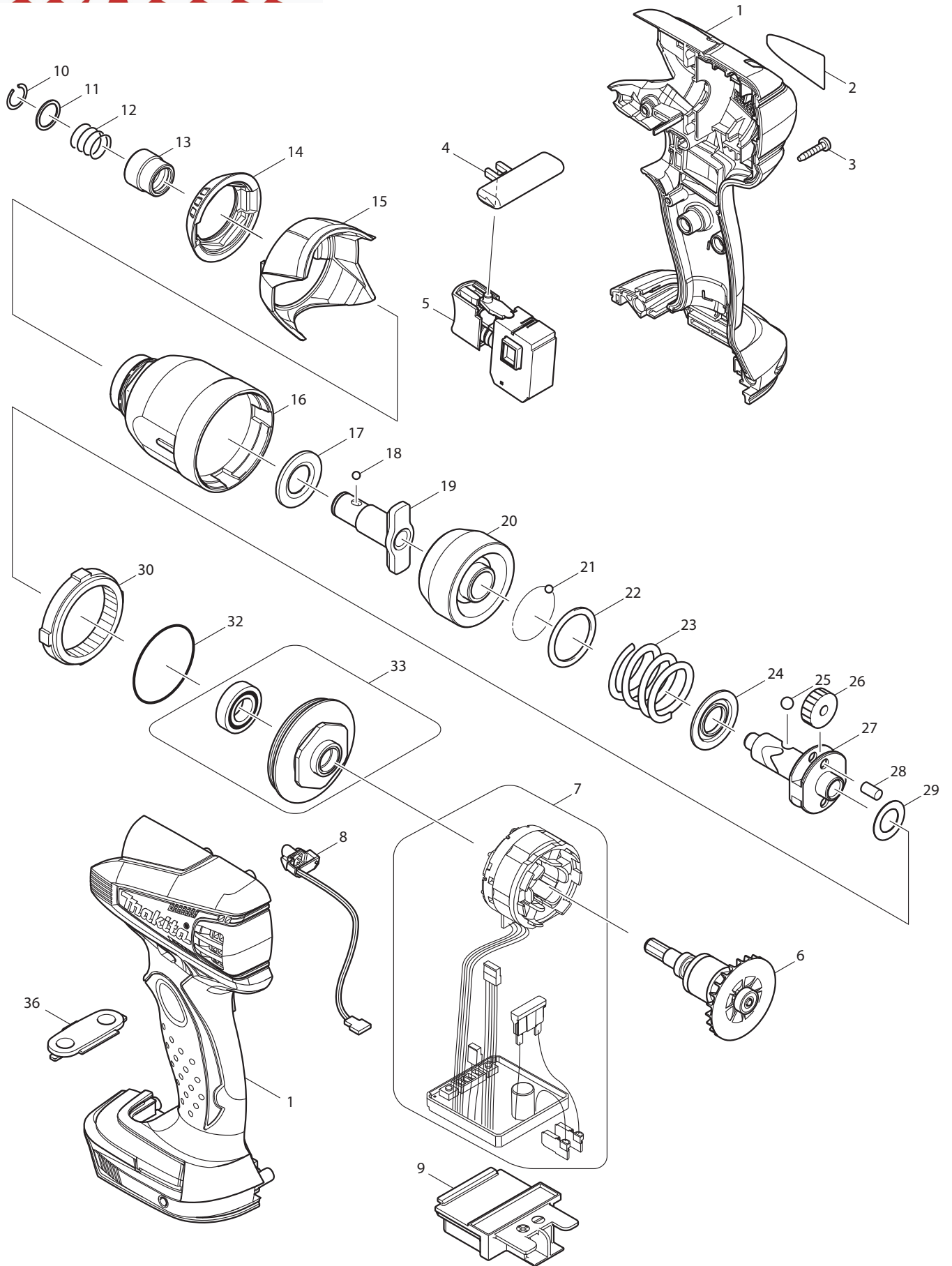




04 - 2014
DTD145F, DTD145RFE, DTD145RME, DTD145Z
18V BRUSHLESS IMPACT DRIVER



Item No.	Type	Sub	Part No.	Description	Q'ty	Unit
1			188922-5	HOUSING SET	1	SET
		INC.	263005-3	RUBBER PIN 6	2	PC.
2			815E65-7	NAME PLATE F/DTD145	1	PC.
3			266429-2	TAPPING SCREW BIND PT 3X16	9	PC.
4			419041-9	F/R CHANGE LEVER	1	PC.
5			650632-9	SWITCH	1	PC.
6			619239-0	ROTOR	1	PC.
7			638723-6	STATOR UNIT	1	PC.
		INC.	195262-4	CONTROLLER SET	1	PC.
		INC.	194923-3	STATOR SET	1	PC.
8			631829-9	LED CIRCUIT	1	PC.
9			643833-6	TERMINAL	1	PC.
10			231951-8	RING SPRING 11	1	PC.
11			267085-1	FLAT WASHER 12	1	PC.
12			233005-7	COMPRESSION SPRING 13	1	PC.
13			324871-4	SLEEVE	1	PC.
14			424362-6	BUMPER	1	PC.
15			452294-7	HAMMER CASE COVER	1	PC.
16			154590-6	HAMMER CASE COMPLETE	1	PC.
17			261108-7	NYLON WASHER 14	1	PC.
18			216001-0	STEEL BALL 3.5	2	PC.
19			325975-5	ANVIL M	1	PC.
20			325671-5	HAMMER	1	PC.
21			216001-0	STEEL BALL 3.5	24	PC.
22			267175-0	FLAT WASHER 24	1	PC.
23			234082-2	COMPRESSION SPRING 25	1	PC.
24			267766-7	CUP WASHER 14	1	PC.
25			216011-7	STEEL BALL 5.6	2	PC.
26	1		227233-4	* SPUR GEAR 22 (Material: SCM415)	2	PC.
	2		227362-3	* SPUR GEAR 22 (Material: SCM435)	2	PC.
27			324552-0	SPINDLE	1	PC.
28			256253-1	PIN 5	2	PC.
29			267212-0	FLAT WASHER 12	1	PC.
30			227150-8	INTERNAL GEAR 51	1	PC.
32			213507-9	O RING 40	1	PC.
33			158145-9	BEARING BOX COMPLETE	1	PC.
36			140574-0	SWITCH PLATE COMPLETE	1	PC.
100			266622-8	+ TRUSS HEAD SCREW M4X12(F/HOOK ITEM A02)	1	PC.
101			251314-2	+ SCREW M4X12(F/HOOK ITEM A07)	1	PC.

ACCESSORIES

- See Catalogue or visit www.makita.ca for more accessories information-

A01			----	18V LI-ION BATTERY		
A02			----	LI-ION BATTERY ACCESSORIES		
			450128-8	BATTERY COVER	1	PC.
A03			----	BATTERY CHARGER		
A04			194633-2	ADJUSTABLE DEPTH GAUGE SET	1	PC.
A05			----	DRIVERS BITS		
A06			192077-0	3/8" KYLS DRILL CHUCK ATTCHMENT	1	PC.
			194250-8	3/8" KYLS DRILL CHUCK ATTCHMENT	1	PC.
			191881-4	3/8" DRILL CHUCK ATTCHMENT	1	PC.
			763067-6	3/8" DRILL CHUCK	1	PC.
			763415-9	CHUCK KEY	1	PC.
A07			824812-5	PLASTIC CARRYING CASE	1	PC.
A08	1		195927-8	TOOL CATCHER SET	1	PC.
	2		197043-2	TOOL CATCHER SET	1	PC.
A09			784643-3	CONNECT BIT 6.35-44	1	PC.